

# MANDOOR NG

## ENTRANCE DOOR WITH BROKEN THERMAL BRIDGE

Dear customer,

to our portfolio of products we have included **new entrance door MANDOOR NG** produced from aluminum profiles **with broken thermal bridge**, filled with 40mm sandwich panels. Design of these manddoors is possible to unify with design of sectional overhead doors.

This design represents **new quality standard** from aluminum profiles with broken thermal bridge with smooth joints without rivets, high quality fully adjustable hinges, new door handles in standard height (1050mm) and other accessories.



## PRODUCT STANDARD

- Frame from aluminum 60mm profiles with broken thermal bridge
- Filling from sandwich 40mm panels with CFC free PUR foam with closed cells or full glazed sections (FVE)
- Direction of opening IN/OUT
- Max outside frame width 1500mm
- Max outside frame height 2500mm
- For openings higher then 2500mm the manddoor could be supplied with fixed top part.
- Max outside frame height of manddoor and fixed top part is 6000mm.
- Standard finish of aluminum profiles silver natural anodized E6/EV1 (industrial quality)
- Circumference double sealing
- 20mm threshold with broken thermal bridge

## HOW TO ORDER

Mandoor NG is produced according to external frame size including threshold (please see drawings).

Type	Direction of opening	DIN
MD01	out	right
MD02	out	left
MD03	in	left
MD04	in	right

## ACCESSORIES

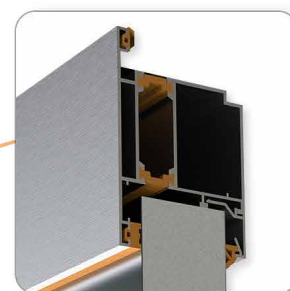
- One side/both sides painting of profiles and fillings according to RAL/NCS/BS
- PVC coating of fillings
- Windows (painting of window frames)
- Full glazed sections (various glazing, painting)
- Handle/ fixed knob / panic lock/ panic bar
- 3-point lock
  - Minimum outside frame height when mounting in the opening is 2050mm
  - Minimum outside frame height when mounting behind the opening is 2070mm
- Door closer with sliding arm
- Electric lock



Robust hinges adjustable in all directions



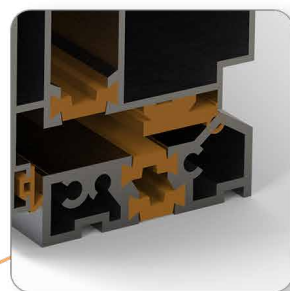
Possibility of full glazed section with various glazing and painting



60mm aluminum profile with broken thermal bridge and circumference double sealing



Quality locks/handles installed in door frame



20mm threshold with broken thermal bridge

## DRAWING - INWARD OPENING

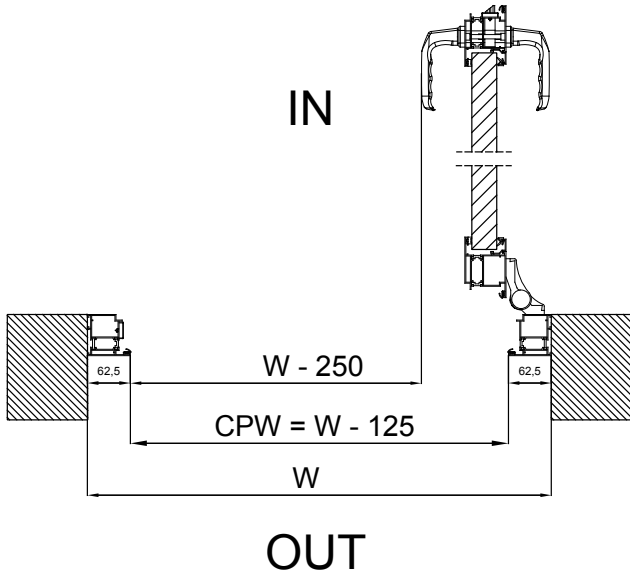
W – frame width / order dimension

CPW – clear passage width

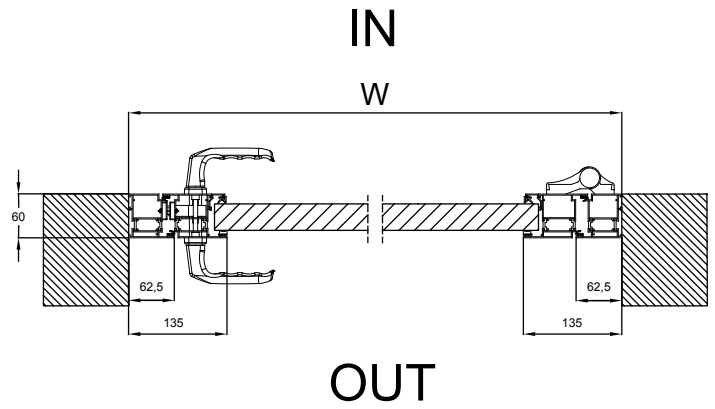
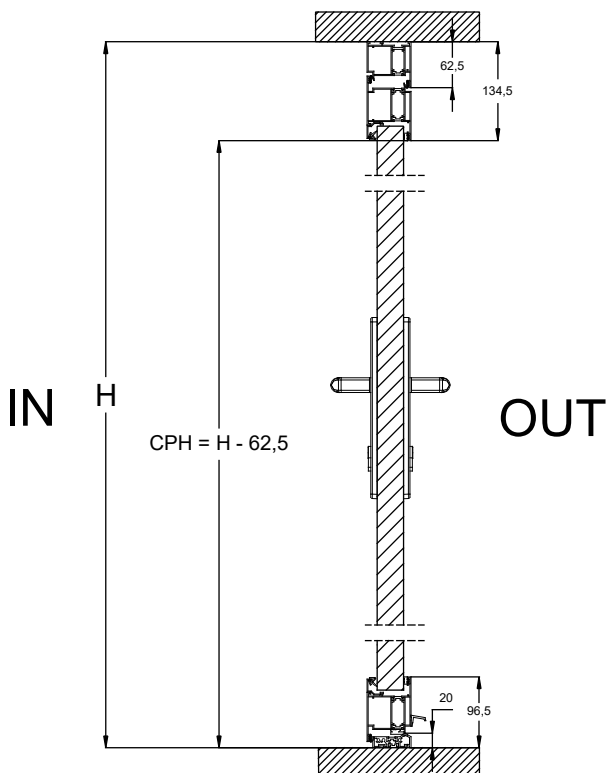
H – frame height / order dimension

CPH – clear passage height

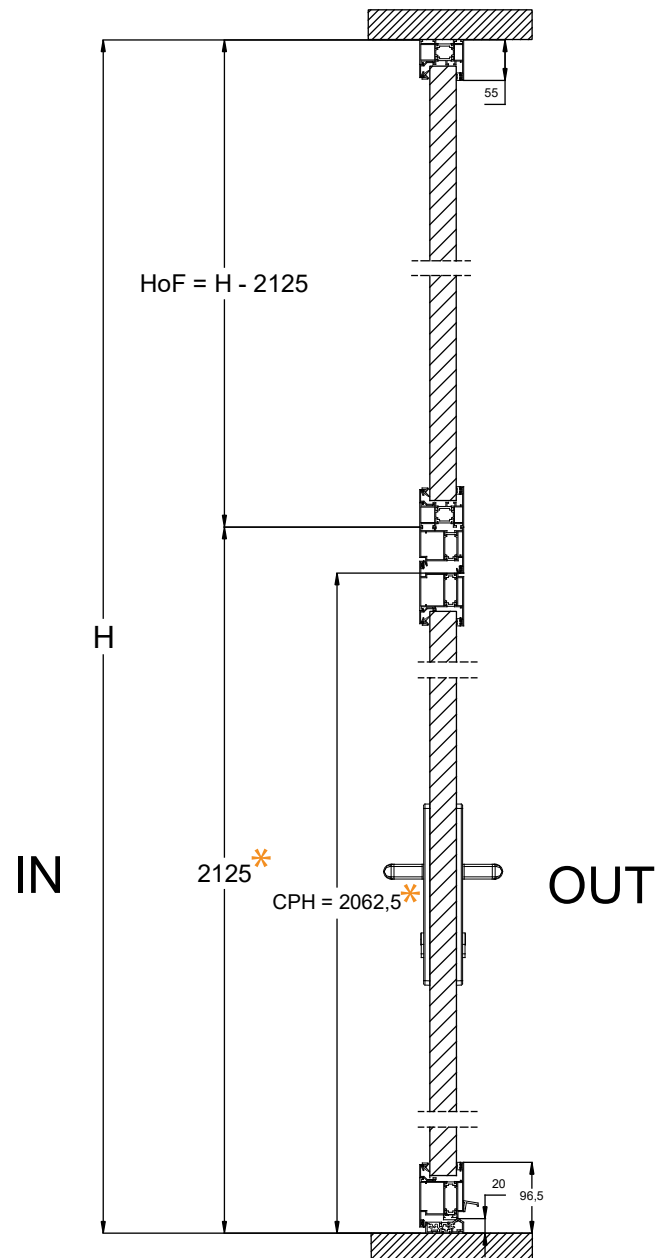
HoF – fixed part height



$H \leq 2500$



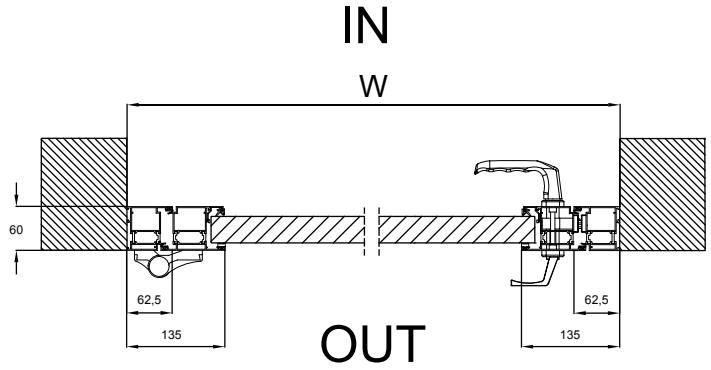
$H > 2500$



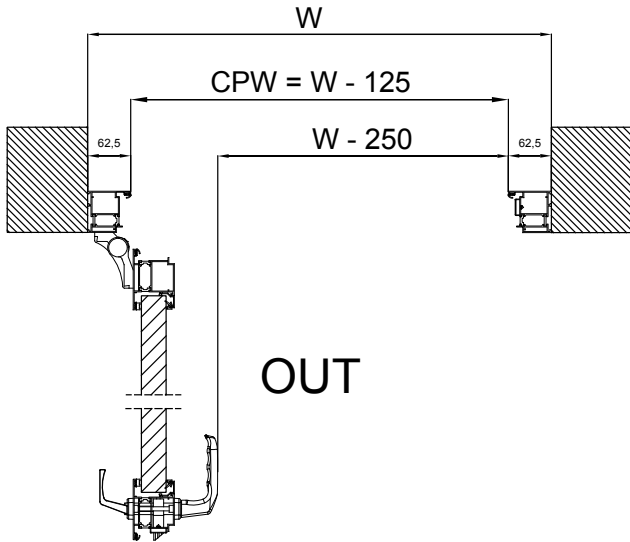
\* dimensions can vary in case of requirement for alignment with sectional door

# DRAWING - OUTWARD OPENING

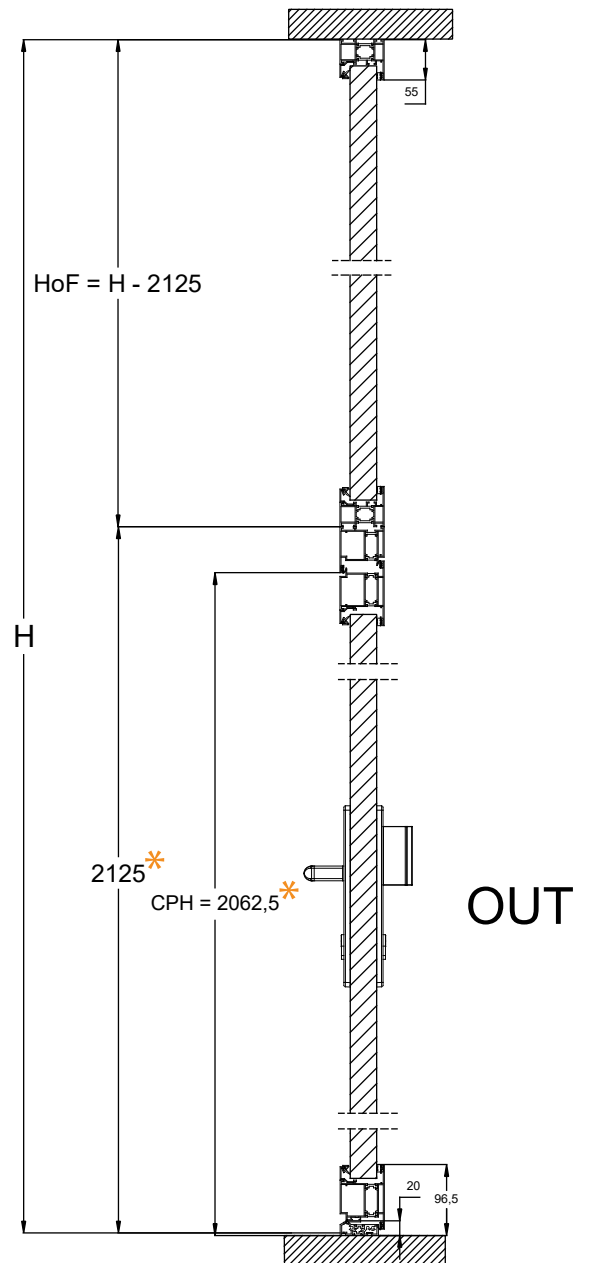
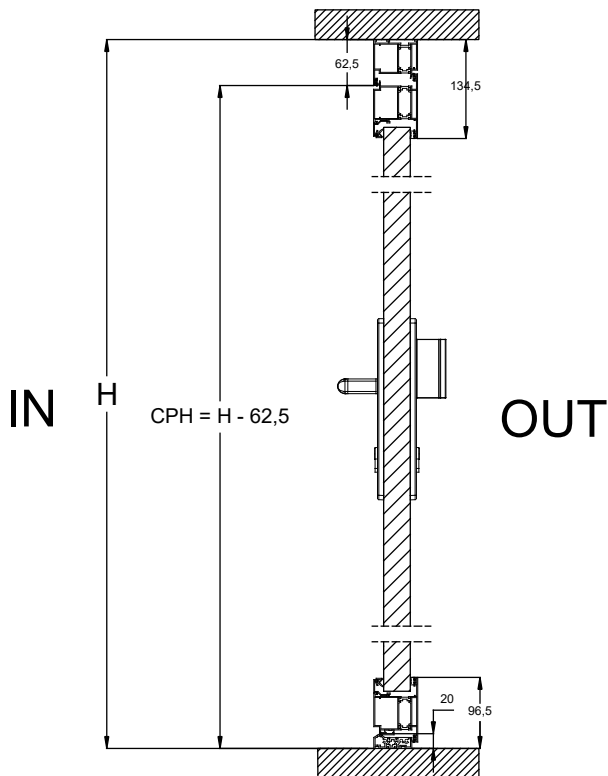
W – frame width / order dimension  
 CPW – clear passage width  
 H – frame height / order dimension  
 CPH – clear passage height  
 HoF – fixed part height



H > 2500



H ≤ 2500



\* dimensions can vary in case of requirement for alignment with sectional door